

Global Roofing Solutions BR7

ROOFING LIKE NO OTHER

Talk to **THE SMART ROOF PEOPLE**
www.globalroofs.co.za
marketing@globalroofs.co.za



Typical Specification

Materials

The roofing / side cladding shall be BR7 profile, in Aluminium Mill finish / colour coated one side / colour coated two sides, in 0.8mm or 0.9mm thickness. BR7 is obtained from Global Roofing Solutions.

The Profile

The profile shall have five trapezoidal ribs at 127mm centres giving a net cover of 889mm. The rib height shall be 38mm.

Assembly

The BR7 sheeting shall be laid in strict accordance with the manufacturer's specification.

Sheet Length

BR7 is available in sheet lengths limited only by transport restrictions, with normal loads being 12.5m. With special transport arrangements lengths up to 18.6m can be delivered.

Flashing

Stop endings must be formed at the apex to form a dam and the pan turned down to form a drip. The roof sheeting shall be closed as necessary with purpose-made flashings and poly closures where necessary.

Roof Pitch

BR7 may be used at a minimum roof pitch of 5° for rafter lengths up to 30m. A minimum of 7.5° is required for rafter lengths greater than 30m. Where possible, the max distance between top and bottom rows of fasteners should not exceed 24m for crest fixing and 15m for valley / pan fixing, after which an expansion joint (step lap) is recommended. For all conditions, end laps must be sealed with an approved sealing strip.

Cranking

BR7 can be cranked from a minimum radius of 450mm.

Site Handling

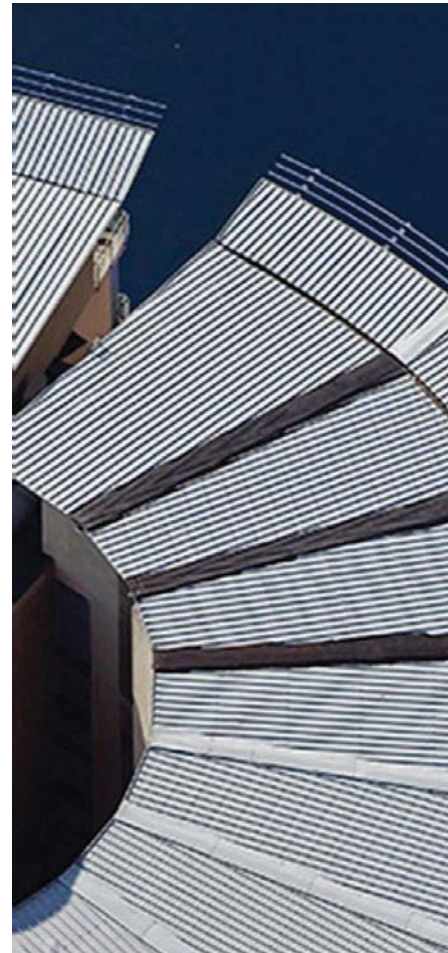
BR7 sheets should be suitably supported clear of the ground under well ventilated cover, away from risk of damage by building operations, contact with cement, dust, lime and abrasive dust, until required to be installed.

Cleaning Up

The complete roof must be kept clean and free of any swarf and debris.

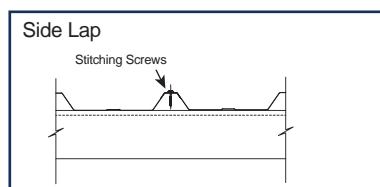
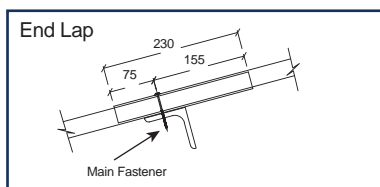
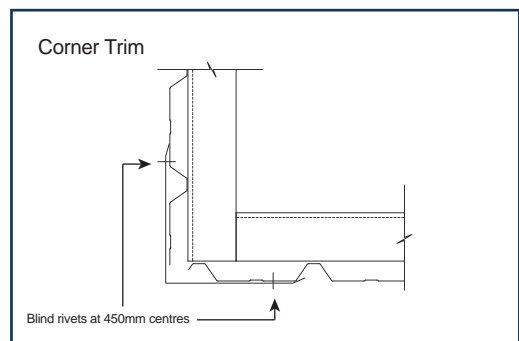
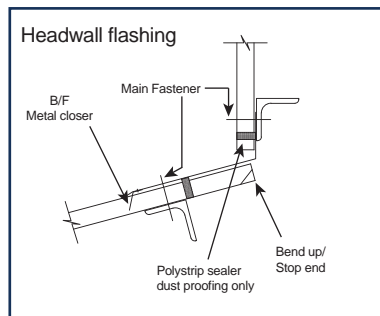
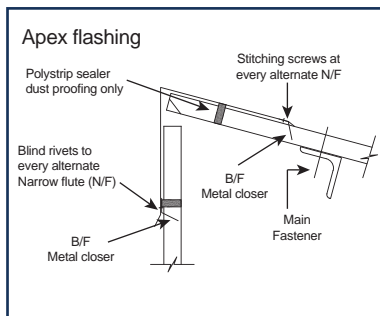
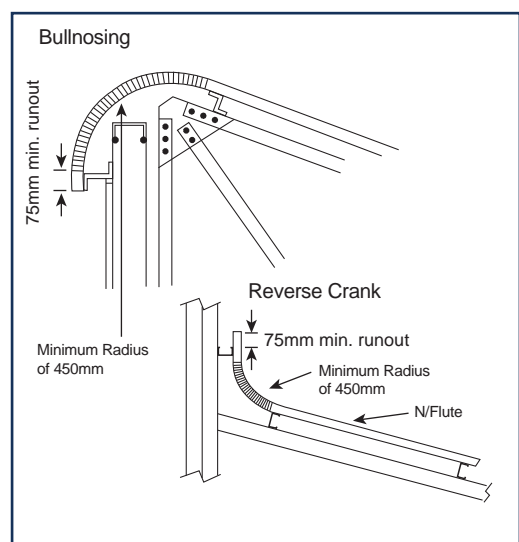
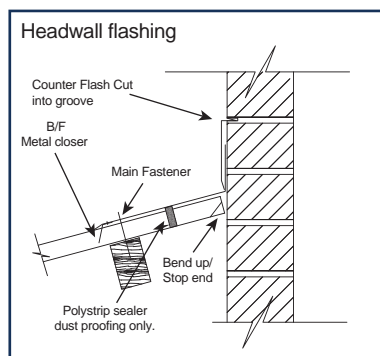
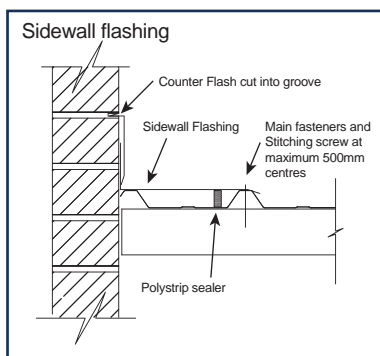
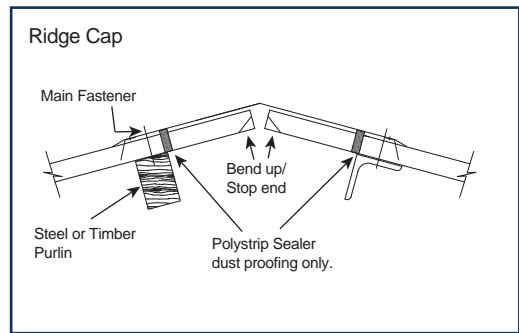
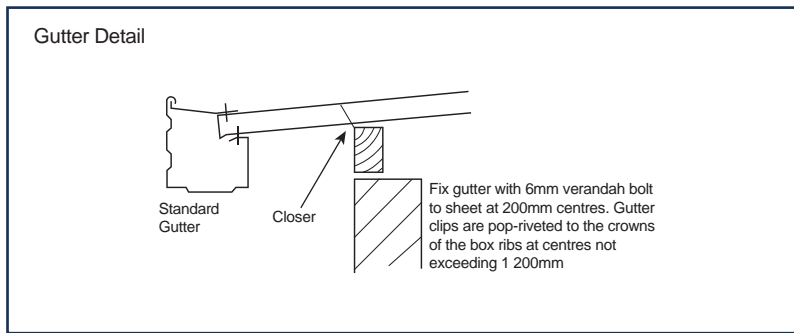
Quality Assurance

The manufacturer shall be assessed and certified as complying with ISO 9001:2015 Quality Management System.



Popular Flashings

Available in 0.7mm or 0.8mm thick in mill finish or colour coated.



Please visit our website or contact GRS for standard flashing details

Isando Tel: +27 (0) 11 898 2900
Cape Town Tel: +27 (0) 21 521 1900
Durban Tel: +27 (0) 31 538 0940
Port Elizabeth Tel: +27 (0) 43 731 1826
East London Tel: +27 (0) 43 731 1826

Bloemfontein Tel: +27 (0) 51 432 3724
Nelspruit Tel: +27 (0) 13 492 0746/7
Polokwane Tel: +27 (0) 15 293 0313
Rustenburg Tel: +27 (0) 14 596 6121
Upington Tel: +27 (0) 54 332 1657

Exports Tel: +27 (0) 11 898 2900
Botswana Tel: +267 (002) 310 5761/2
Namibia Tel: +264 (002) 61 263 890



@GRSRoofs

e.&o.e