

GRS Nu-Rib

Global Roofing Solutions Nu-Rib™

**ROOFING
LIKE NO OTHER**



Talk to **THE SMART ROOF PEOPLE**
www.globalroofs.co.za
marketing@globalroofs.co.za



GRS Nu-Rib



Typical Specification

Materials

The roofing / side cladding shall be Nu-Rib profile, in one of the materials in the table below. Nu-Rib is obtained from Global Roofing Solutions.

Material	Steel	Colour One Side	Colour Two Side
Galvanised Z275	ISQ 550 for 0.5mm ISQ 300 for 0.58mm ISQ 230 for 0.8mm	—————	—————
Chromadek® Z200		✓	Special
Zincalume® AZ150	G550	—————	—————
Clean COLORBOND™ AZ150		✓	Special
ZincAL® AZ150	G550	—————	—————
COLORPLUS® AZ150		✓	Special



The Profile

The profile shall have five trapezoidal ribs at 190.5mm centres, providing a nett cover of 762mm with one stiffener rib in each pan. The rib height shall be 28.6mm. We do not recommend Nu-Rib be rolled without a stiffener rib in the pan due to the possibility of oil canning.

Embossing

Nu-Rib sheeting can be embossed for thicknesses not less than 0.5mm. Embossing provides a quality textured finish to the sheet and reduces glare, minimises potentially unsightly oil canning and enhances the appearance of a metal clad building. High yield materials (ISQ 550 and G550) are available lightly embossed.

Assembly

The Nu-Rib sheeting shall be laid in strict accordance with the manufacturer's specification.

Sheet length

Nu-Rib is available in sheet lengths limited only by transport restrictions, with normal loads being 12.5m. With special transport arrangements, lengths of up to 18.6m can be delivered.

Flashings

Stop endings must be formed at the apex to form a dam and the pan turned down to form a drip. The roof sheeting shall be closed, as necessary, with purpose-made flashings and polyclosures where necessary.

Roof pitch

Nu-Rib may be used at a minimum roof pitch of 7.5° for rafter lengths up to 30m. A minimum of 10° is required for rafter lengths greater than 30m. Where possible, the maximum distance between top and bottom rows of fasteners should not exceed 24m for crest fixing and 15m for valley / pan fixing after which an expansion joint (step lap) is recommended. For all conditions, end laps must be sealed with an approved sealing strip.

Cranking

Nu-Rib can be cranked from a minimum radius of 450mm.

Curving

Nu-Rib can be curved to any radius greater than 800mm subject to transportation limits.

Site Handling

Nu-Rib sheets should be suitably supported clear of the ground under well ventilated cover, away from risk of damage by building operations, contact with cement, dust, lime and abrasive dust, until required to be installed.

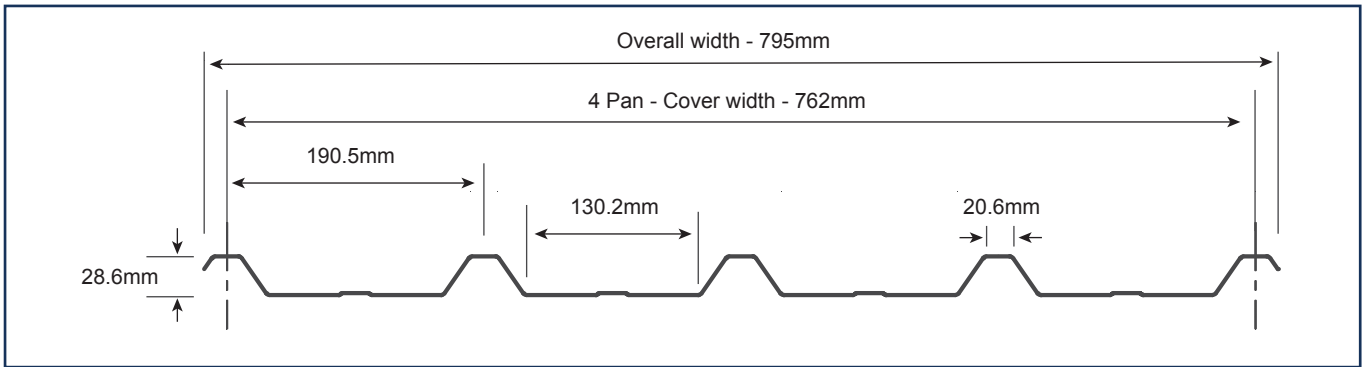
Cleaning Up

The complete roof must be kept clean and free of any swarf and debris.

Quality assurance

The manufacturer shall be assessed and certified as complying with ISO 9001:2015 Quality Management System.

Profile: Nu-Rib™



Nu-Rib Maximum Allowable Support Spacings (mm)

Type of Span	0.47mm	0.5mm	0.53mm	0.55mm	0.58mm	0.8mm
Roofs						
Single Span	1.300m	1.300m	1.400m	1.400m	1.400m	1.600m
Internal Span	1.550m	1.550m	1.650m	1.650m	1.650m	1.900m
Cantilever	0.400m	0.400m	0.450m	0.450m	0.450m	0.550m
Walls						
Single Span	1.800m	1.800m	1.950m	1.950m	1.950m	2.200m
Internal Span	2.200m	2.200m	2.350m	2.350m	2.350m	2.750m
Cantilever	0.900m	0.900m	1.000m	1.000m	1.000m	1.150m
Nominal mass kg/m ²	4.4	4.9	5.2	5.3	5.7	7.8

Available in Galvanised, Zinalume®, Zinal® and Chromadek®, Colorbond™, Colorplus®
 - Spans don't apply to natural sprung sheets. Consult GRS Technical Department.
 - Spans for timber purlins to be in accordance with SANS 10400

Note

Fasteners must be selected to match the life expectancy of the roofing and cladding material. The coating class for fasteners, complying with SANS 1273, should be used in conjunction with all roofing and cladding material. For a full range of compatible fasteners, please refer to the GRS Installation Manual.

Note: Main Fasteners

- #12 - 14 x 50mm Ig Self-Drilling Hex Flange Head screw + EPDM seal - Type 3 Drill Point - Into Steel 1mm - 4.5mm thick Roof (Only if NO insulation)
- #12 - 14 x 25mm Ig Self-Drilling Hex Flange Head screw + EPDM seal - Type 3 Drill Point - Into Steel 1mm - 4.5mm thick Side Cladding (Only if NO insulation)
- #12 - 11 x 85mm Ig Self-Drilling Hex Flange Head screw + EPDM seal - Type 17 Drill Point - Into Timber (Only if NO insulation)
- M6 - 20 x 60mm Buttress Thread Zap Self-Drilling Hex Flange Head screw + EPDM seal # 2 Drill Point - Into Light Steel Structures (Only if NO Insulation)

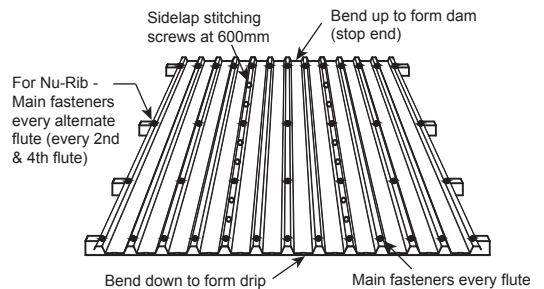
Note: Sidelap Fasteners

- #14 - 14 x 22mm Ig Self-Drilling Hex Flange Head Stitching Screw + EPDM seal - For Sidelap Stitching and Flashings

Note: NO INSULATION APPLICATION ONLY!

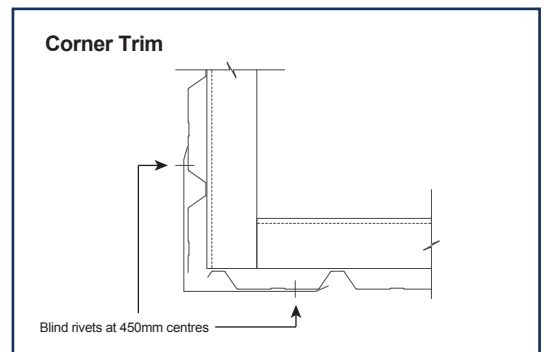
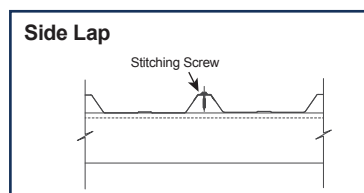
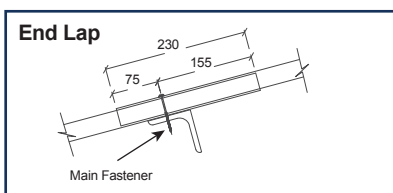
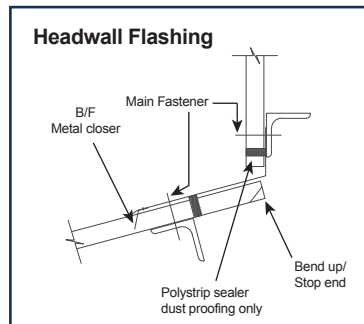
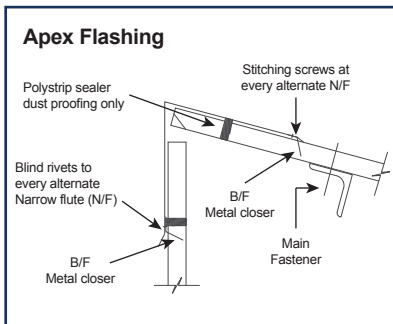
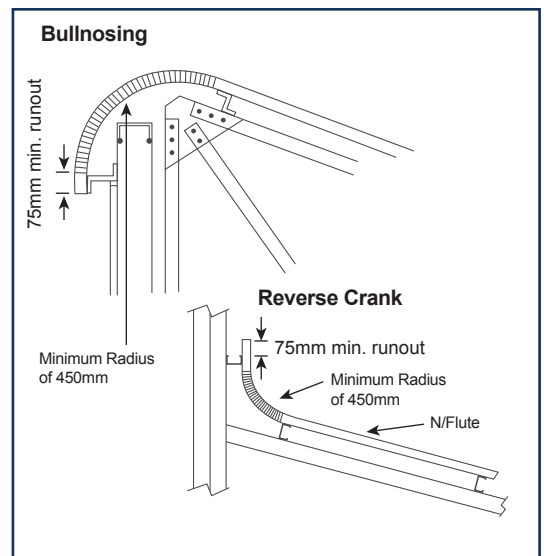
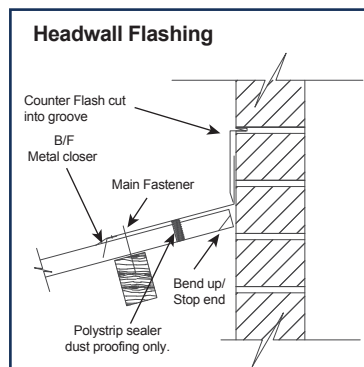
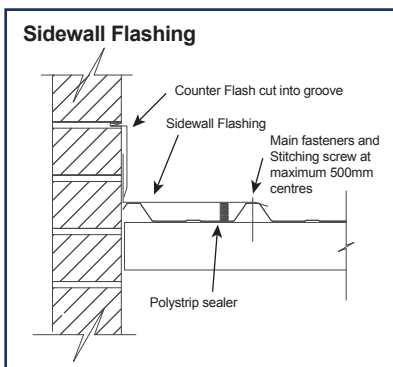
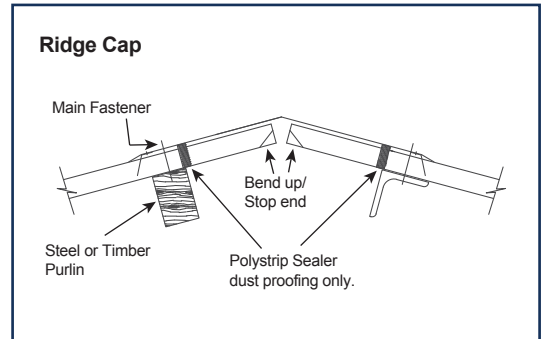
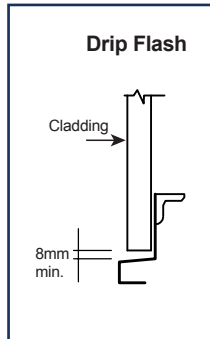
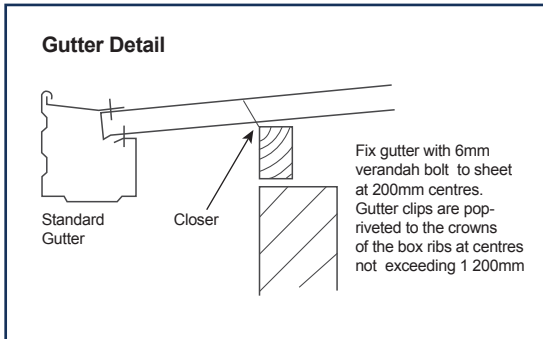
Assembly - Roof

- Main Fasteners
- Sidelap Fasteners



Popular Flashings

Available in 0.58mm / 0.8mm thick galvanised Z275 steel, 0.53mm thick Zinalume® AZ150 or 0.55mm thick ZincAL® AZ150. Or with a colour option Chromadek® (Galvanised Z200), Clean COLORBOND™ (Zinalume® AZ150) or COLORPLUS® (ZincAL® AZ150) finish to one / two sides.



Please visit our website or contact GRS for standard flashing details

Isando Tel: +27 (0) 11 898 2900
Cape Town Tel: +27 (0) 21 521 1900
Durban Tel: +27 (0) 31 538 0940
Port Elizabeth Tel: +27 (0) 41 486 1280
East London Tel: +27 (0) 43 731 1826

Bloemfontein Tel: +27 (0) 51 432 3724
Nelspruit Tel: +27 (0) 13 492 0746/7
Polokwane Tel: +27 (0) 15 293 0313
Rustenburg Tel: +27 (0) 14 596 6121
Upington Tel: +27 (0) 54 332 1657

Exports Tel: +27 (0) 11 898 2900
Botswana Tel: +267 (002) 310 5761/2
Ghana Tel: +27 (0) 11 898 2976
Lesotho Tel: +266 (002) 22 312 244
Namibia Tel: +264 (002) 61 263 890

Zambia Tel: +260 (002) 96 749 5541
Zimbabwe Tel: +263 (002) 477 4699



CONSOLIDATED STEEL INDUSTRIES
(PTY) LTD.



@GRSRoofs

e.&o.e